

# Infinity®

---

*Minnette*

**THEATER PAC**  
**SURROUND PAC**

---

OWNER'S MANUAL

# UNPACKING

1. Carefully unpack the speakers. If you suspect damage from transit, report it immediately to your dealer and/or delivery service. Keep the shipping carton and packing materials for future use.
2. Verify that the package includes the following items:
  - (4) Minuette MPS Speakers (Theater Pac) or (2) Minuette MPS Speakers (Surround Pac)
  - (1) Minuette Center Channel Speaker
  - (4) Mounting Brackets (Theater Pac) or (2) Mounting Brackets (Surround Pac) and Hardware
  - (1) Owner's Manual

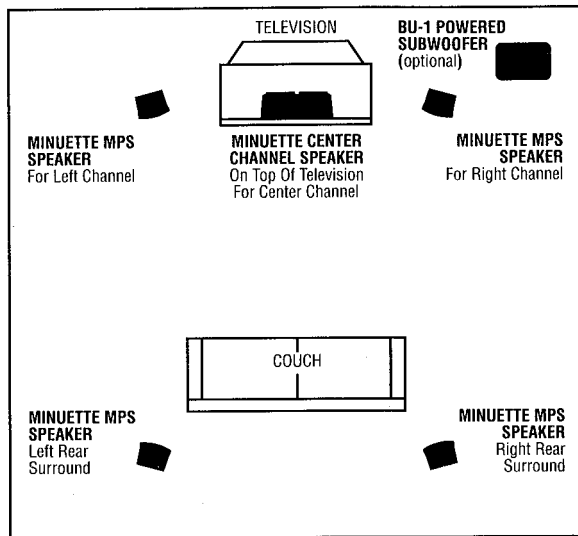
## PLANNING YOUR SYSTEM

The Infinity Minuette Theater Pac and Minuette Surround Pac are specific components for your home entertainment system.

The Infinity Minuette Theater Pac is a five-piece system containing four Minuette MPS (Multi-Purpose Satellite) speakers and one Minuette Center Channel speaker. The Infinity Minuette Surround Pac is a three-piece system with two Minuette MPS speakers and one Minuette Center Channel speaker.

The Minuette MPS speakers reproduce sound for the front and rear channels, or both, while the Minuette Center Channel speaker enhances dialogue from the center channel. To help plan your system, study the drawing (shown in Figure 1) to determine a placement that best suits your needs.

**FIGURE 1.** In this overhead view of a typical 6-piece home entertainment system, Minuette MPS speakers are used to reproduce sound for the front and rear (surround) channels. A Minuette Center Channel speaker is shown to enhance center-channel dialogue. A Minuette BU-1 Powered Subwoofer is shown providing extra bass for effects and music.



## PLACEMENT

### FRONT PLACEMENT

Using speaker stands or bookshelves, place a pair of Minuette MPS speakers on either side of the television. They can be aimed at the viewing audience, if desired (see Figure 1). Experiment with different placement to find the most pleasing effect for your system.

*NOTE: Minuette MPS speakers may be placed horizontally or vertically, and the logo can be rotated to match the desired orientation (refer to Figure 2 on the next page).*

For wall and ceiling mounting, Minuette MPS speakers can be installed in a variety of ways, as shown in Figures 3 through 5 (on the next page). You can mount the speakers directly with screws (not included), or use the enclosed mounting brackets. Locate a stud for secure mounting. Use heavy-duty screws with long threads so there is an adequate number of threads holding the speaker (or speaker/bracket) to the wall. Test the mounting thoroughly before final installation.

### REAR PLACEMENT

For rear channel placement, follow the same procedure for front placement, except place a pair of Minuette MPS speakers slightly behind or ahead and above either side of the viewing audience (see Figure 1).

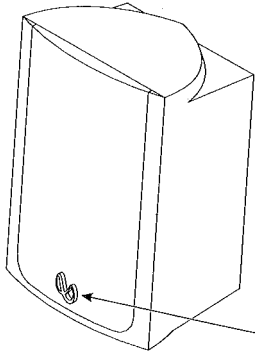
### CENTER PLACEMENT

Place your Minuette Center Channel speaker on top of the television. Aim it directly at the viewing audience (see Figure 1), so that center channel dialogue is heard correctly.

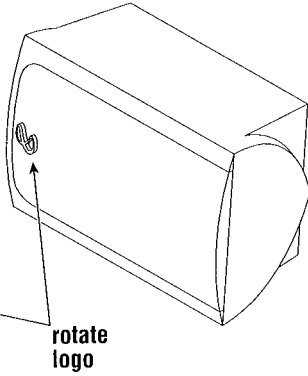
*NOTE: A Minuette Center Channel speaker may be placed horizontally or vertically, and the logo can be rotated to match the desired orientation (refer to Figures 6 and 7 on page 3).*

For wall mounting, a Minuette Center Channel speaker can be installed in two ways, as shown in Figures 8 and 9 (on page 3). To mount the speakers directly, locate a stud for secure mounting. Use heavy-duty wood screws (not included) with long threads so there is an adequate number of threads holding the speaker to the wall. Test the mounting thoroughly before final installation.

## VERTICAL PLACEMENT

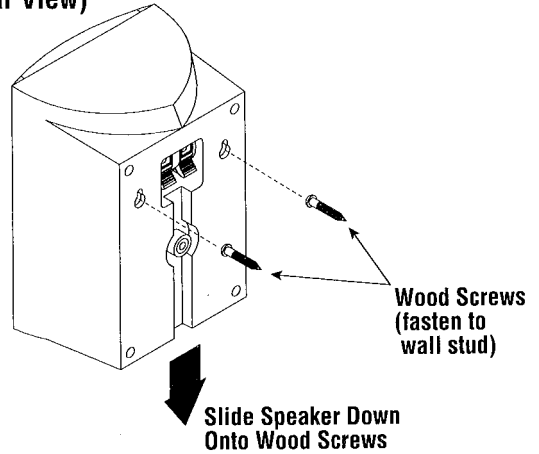


## HORIZONTAL PLACEMENT



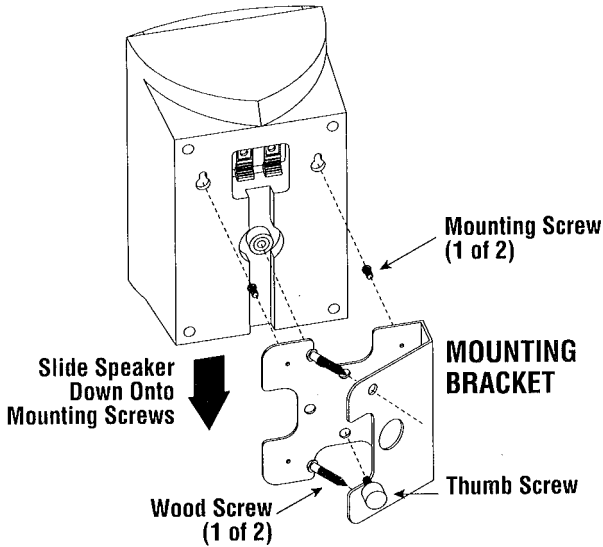
**FIGURE 2.** Free-standing vertical and horizontal placement of Minuette MPS speaker. Note logo orientation.

## MINUETTE MPS (Rear View)



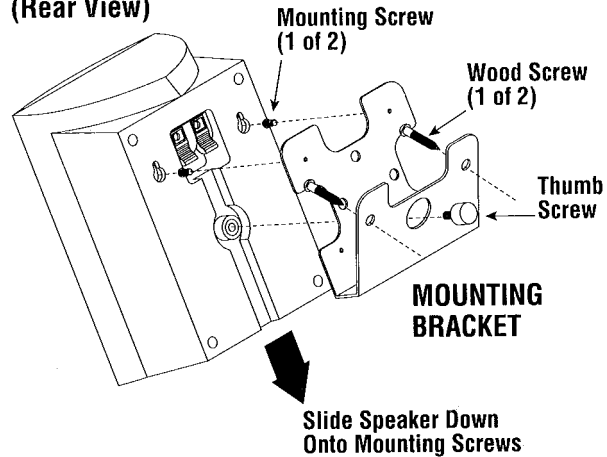
**FIGURE 3.** To mount the Minuette MPS speaker directly on a wall, fasten the wood screws (not included) to a desired wall stud, leaving a  $\frac{1}{8}$ " clearance between the screw head and the wall. Align keyholes on the rear of the Minuette MPS speaker with the wood screws and slide speaker down.

## MINUETTE MPS (Rear View)



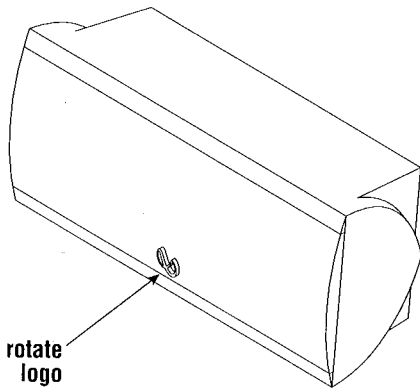
**FIGURE 4.** For inward vertical mounting, thread the mounting screws onto the mounting bracket, leaving a  $\frac{1}{8}$ " clearance between the screw head and the bracket. Fasten the mounting bracket securely to a desired wall stud with wood screws (not included). Align keyholes on the rear of the Minuette MPS speaker with mounting screws and slide speaker down. Finally, insert and tighten thumb screw.

## MINUETTE MPS (Rear View)



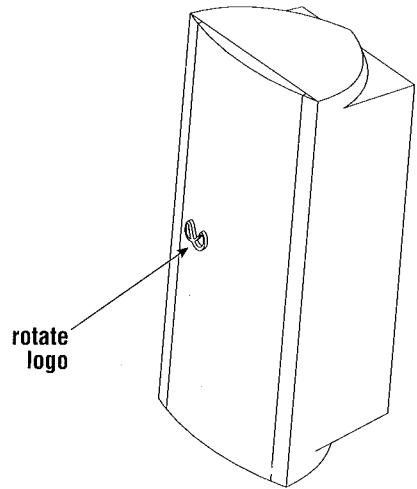
**FIGURE 5.** For downward vertical mounting, thread the mounting screws onto the mounting bracket, leaving a  $\frac{1}{8}$ " clearance between the screw head and the bracket. Fasten the mounting bracket securely to a desired wall stud with wood screws (not included). Align keyholes on the rear of the Minuette MPS speaker with mounting screws and slide speaker down. Finally, insert and tighten thumb screw.

## HORIZONTAL PLACEMENT



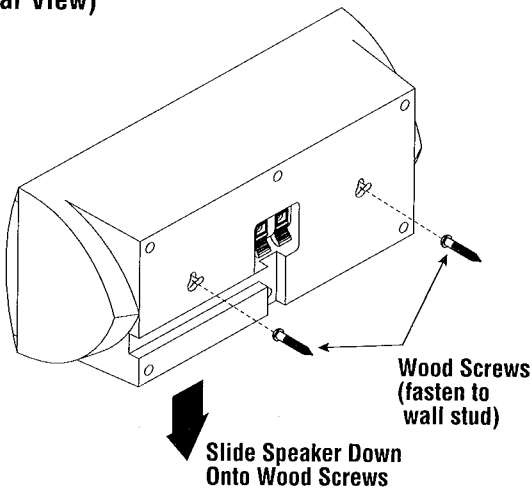
**FIGURE 6.** Free-standing horizontal placement of Minuette Center Channel speaker. Note logo orientation.

## VERTICAL PLACEMENT



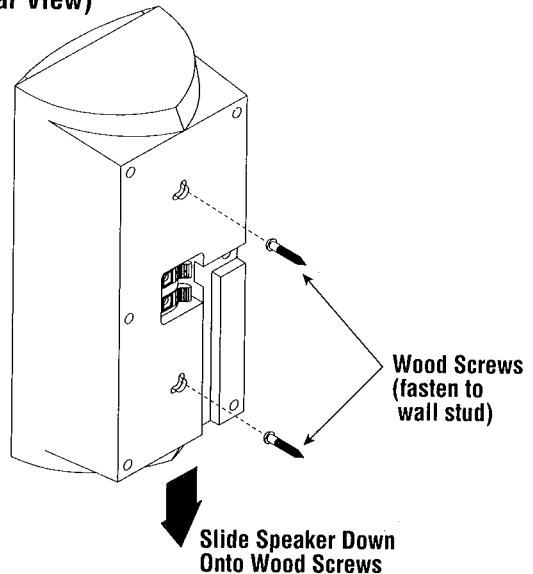
**FIGURE 7.** Free-standing vertical placement of Minuette Center Channel speaker. Note logo orientation.

## MINUETTE CENTER CHANNEL (Rear View)



**FIGURE 8.** To mount the Minuette Center Channel speaker horizontally on a wall, fasten the wood screws (not included) to a desired wall stud, leaving a  $\frac{1}{8}$ " clearance between the screw head and the wall. Align keyholes on the rear of the Minuette Center Channel speaker with the wood screws and slide speaker down.

## MINUETTE CENTER CHANNEL (Rear View)



**FIGURE 9.** To mount the Minuette Center Channel speaker vertically on a wall, fasten the wood screws (not included) to a desired wall stud, leaving a  $\frac{1}{8}$ " clearance between the screw head and the wall. Align keyholes on the rear of the Minuette Center Channel speaker with the wood screws and slide speaker down.

# WIRING THE SYSTEM

After placing the Minuette Theater Pac or Surround Pac, you are ready to wire your speakers. First turn off all audio system power. Use high-quality speaker wire (#16 gauge or heavier) to make your connections. Consult the owner's manuals that were included with your amplifier, receiver, or television to confirm connection procedures.

Minuette Theater Pac or Surround Pac speakers have spring-loaded terminals for easy wiring. Observe polarities when

making speaker connections, as shown in Figure 10. Connect each + terminal on the back of the amplifier, receiver, or television to the respective + (red) terminal on each Minuette Theater Pac or Surround Pac speaker. Similarly, connect the - (black) terminal in the same way.

**IMPORTANT! Do not reverse polarities (i.e., + to - or - to +) when making connections. Doing so will cause poor imaging and diminished bass response.**

**MINUETTE MPS  
(Front Left)**

**MINUETTE CENTER CHANNEL  
(Center)**

**MINUETTE MPS  
(Front Right)**

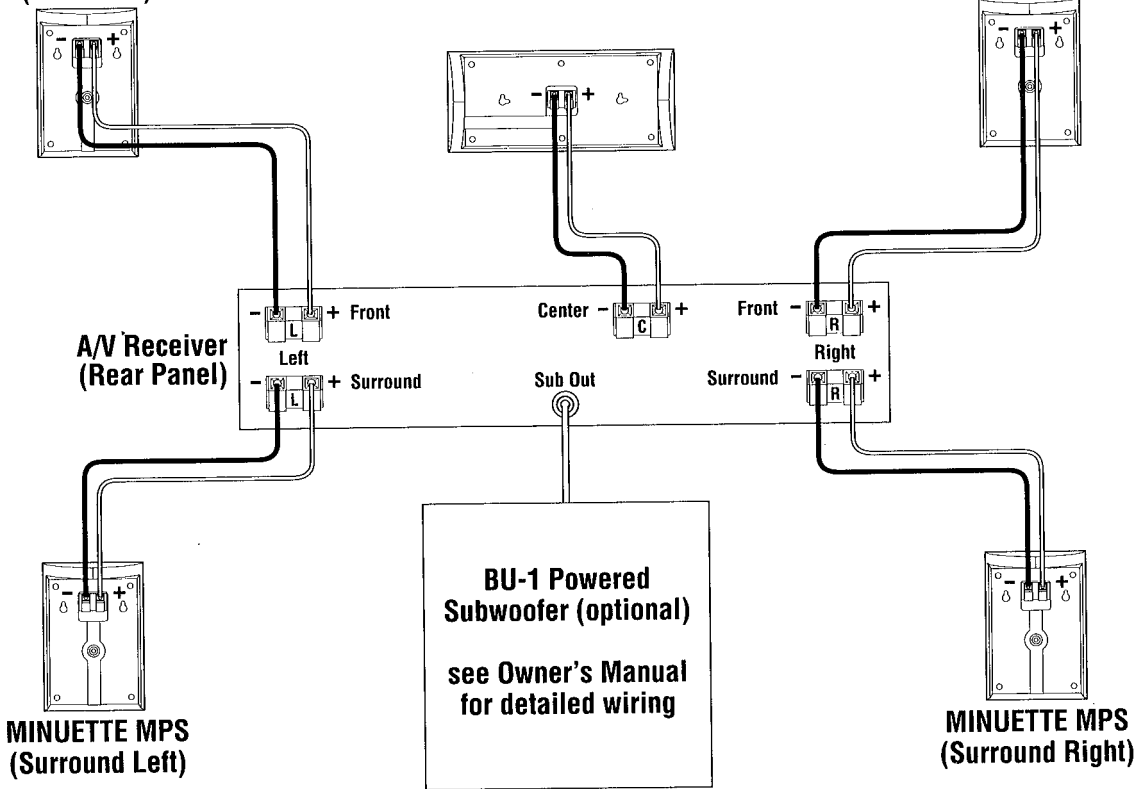


Figure 10. An example of how to interconnect Minuette Theater Pac or Surround Pac speakers to an A/V (audio/video) receiver in a system.

## UNDERSTANDING POWER RATINGS

An A/V (audio/video) receiver with limited power output can actually cause damage to your speakers. When played beyond its power capability, it will go into clipping. This generates spurious high-frequency signals which, when routed to the tweeter, can cause it to overheat and fail.

Overdriving the power amplifier must be avoided. It is always a good idea to choose a receiver with more power than you need. (Refer to power ratings in *Specifications* on the next page.)

## IN CASE OF TROUBLE

Before consulting your dealer, Infinity service facility or factory service department, you can perform simple troubleshooting. If the sound quality is distorted, listen to each speaker separately to check if the fault is present in both. If it is, then the trouble is likely to be elsewhere in your system. If the fault is in one channel only, switch the left and right speaker leads at the receiver. If the distortion moves to the other speaker, the fault is not in the speaker.

If there is no authorized service facility near you, write or phone the Service Department, Infinity Customer Service, 20630 Nordhoff Street, Chatsworth, CA 91311, (818) 407-0228, and describe the problem as specifically as possible. The service department will advise you what action to take.

*Note: Do not ship any parts or whole speakers for service without prior approval ("Return Authorization"), and do not ship without enclosing a copy of your original bill of sale and a description of the problem.*

## SPECIFICATIONS

### Minuette MPS Speakers

Fréquency Response.....200 Hz ~ 20 kHz  
Crossover Frequency .....5 kHz  
Sensitivity.....87 dB @ 2.45 V, 1 meter  
Nominal Impedance..... compatible with 8 ohms  
Power Rating.....15 ~ 80 watts (rms)

Driver Complement .....3 1/2" paper-cone woofer  
1/2" polycarbonate-dome tweeter w/acoustic lens  
Cabinet Finish.....black or white  
Cabinet Dimensions\* .....4 3/4" wide x 7" high x 3 3/4" deep  
11.9 cm wide x 17.5 cm high x 9.4 cm deep  
\* Not including bracket

### Minuette Center Channel Speaker

Frequency Response.....180 Hz ~ 20 kHz  
Crossover Frequency .....5 kHz  
Sensitivity.....87 dB @ 2.85 V, 1 meter  
Nominal Impedance..... 8 ohms  
Power Rating.....15 ~ 80 watts (rms)

Driver Complement .....(2) 3 1/2" paper-cone woofers  
1/2" polycarbonate-dome tweeter w/acoustic lens  
Cabinet Finish .....black  
Cabinet Dimensions.....10 7/16" wide x 4 3/4" high x 3 3/4" deep  
26.5 cm wide x 11.9 cm high x 9.4 cm deep

# LIMITED WARRANTY

## WHO IS PROTECTED BY THE WARRANTY?

Your Infinity warranty protects the original retail purchaser and all subsequent owners for a period of five (5) years (parts and labor) from any failure as a result of original manufacturing defect so long as: (1) your Infinity loudspeaker was purchased within the fifty United States or by military personnel from an authorized military outlet and (2) the original dated bill of sale is presented whenever service is required during the warranty period. This warranty does not apply to products purchased elsewhere; other purchasers should contact their local Infinity distributor for warranty information.

## WHAT DOES THE INFINITY WARRANTY COVER?

Except as specified below, this warranty covers all defects in original materials and workmanship. The following are not covered: damage caused by accident, misuse, abuse, neglect, product modification; damage occurring during shipment; damage caused by failure to follow instructions in the owner's manual, including failure to perform recommended periodic or routine maintenance; damage resulting from repairs by someone not authorized by Infinity; claims based upon any misrepresentations by the seller; and any Infinity product on which the serial number has been altered, defaced, or removed.

## WHO PAYS FOR WHAT?

During the period of the warranty, subject to the above conditions, Infinity will pay all of the labor and material expenses to repair a warrantable defect.

## HOW CAN WARRANTY SERVICE BE OBTAINED?

In the event that your Infinity loudspeaker should require service, you should first contact the Infinity dealer from whom the product was purchased or, if this is not practical, contact Infinity directly (ATTN: Customer Service) at 20630 Nordhoff Street, Chatsworth, CA 91311 (818) 407-0228.

We may direct you to an authorized service center for Infinity products or ask you to send them to us for repair. In either case, you will have to present your original bill-of-sale to establish warranty coverage. Do not send your speaker to us without prior authorization from our Customer Service Department.

You are responsible for transporting your product to either Infinity or an authorized service center and for payment of all shipping charges; however, Infinity will pay the return shipping charges (in the event you return the product to us) if the repairs are covered by warranty.

If you experience difficulty in transporting your product or are in need of packing materials, please advise us and we may be able to suggest alternative procedures and/or provide adequate packing materials.

## LIMITATION OF IMPLIED WARRANTIES:

All implied warranties, including fitness for a particular purpose and merchantability are limited in duration and length to the warranty period for your product.

## LIMITATION OF INCIDENTAL OR CONSEQUENTIAL DAMAGES:

Infinity is not responsible for any incidental or consequential damage of any kind. Our liability is limited to the repair or replacement, at our option, of a defective product.

Some states do not allow limitations on how an implied warranty lasts and/or do not allow the exclusion of incidental or consequential damage, so the above limitations or exclusions may not apply to you.

This warranty gives you specific legal rights and you may also have other rights which vary from state-to-state.

**NOTE:** In the event that there is a difference between this warranty and the provisions in any advertisements, product brochures or packaging cartons, the terms of this warranty will prevail.



*We get you back to what it's all about. Music.*

© 1995, Infinity Systems, Inc., 20630 Nordhoff St., Chatsworth, CA 91311 U.S.A.

(818) 407-0228 • FAX (818) 709-9486

Infinity constantly strives to update and improve existing products, as well as create new ones, therefore the specifications and construction details in this and related Infinity publications are subject to change without notice.